

DIN rail perforated - NS 35/ 7,5 PERF 955MM - 1207653

Please be informed that the data shown in this PDF Document is generated from our Online Catalog. Please find the complete data in the user's documentation. Our General Terms of Use for Downloads are valid (<http://phoenixcontact.com/download>)



DIN rail perforated, Standard profile, width: 35 mm, height: 7.5 mm, acc. to EN 60715, material: Steel, galvanized, passivated with a thick layer, length: 955 mm, color: silver

Key Commercial Data

| | |
|--------------------------------------|---------------------|
| Packing unit | 1 pc |
| Minimum order quantity | 10 pc |
| GTIN | 4 017918 932633 |
| GTIN | 4017918932633 |
| Weight per Piece (excluding packing) | 305.000 g |
| Custom tariff number | 72166190 |
| Country of origin | Germany |

Technical data

Dimensions

| | |
|--------------------|--------|
| Height | 7.5 mm |
| Length | 955 mm |
| Width | 35 mm |
| Hole width | 15 mm |
| Hole height | 6.2 mm |
| Drill hole spacing | 25 mm |

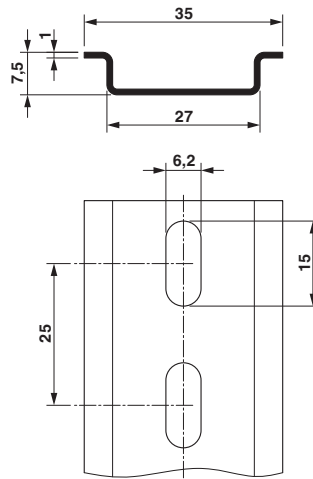
Standards and Regulations

| | |
|----------------------------------|------------------|
| Test standard | acc. to EN 60715 |
| Connection in acc. with standard | IEC / EN |

DIN rail perforated - NS 35/ 7,5 PERF 955MM - 1207653

Drawings

Dimensional drawing



Classifications

eCl@ss

| | |
|---------------|----------|
| eCl@ss 10.0.1 | 27400602 |
| eCl@ss 11.0 | 27400602 |
| eCl@ss 4.0 | 23150300 |
| eCl@ss 4.1 | 23150300 |
| eCl@ss 5.0 | 27141100 |
| eCl@ss 5.1 | 27141100 |
| eCl@ss 6.0 | 27400600 |
| eCl@ss 7.0 | 27400602 |
| eCl@ss 9.0 | 27400602 |

ETIM

| | |
|----------|----------|
| ETIM 2.0 | EC001285 |
| ETIM 3.0 | EC001285 |
| ETIM 4.0 | EC000212 |
| ETIM 6.0 | EC001285 |
| ETIM 7.0 | EC001285 |

UNSPSC

| | |
|---------------|----------|
| UNSPSC 6.01 | 30212109 |
| UNSPSC 7.0901 | 39121708 |
| UNSPSC 11 | 39121708 |

DIN rail perforated - NS 35/ 7,5 PERF 955MM - 1207653

Classifications

UNSPSC

| | |
|--------------|----------|
| UNSPSC 12.01 | 39121708 |
| UNSPSC 13.2 | 39121708 |
| UNSPSC 18.0 | 39121708 |
| UNSPSC 19.0 | 39121708 |
| UNSPSC 20.0 | 39121708 |
| UNSPSC 21.0 | 39121708 |